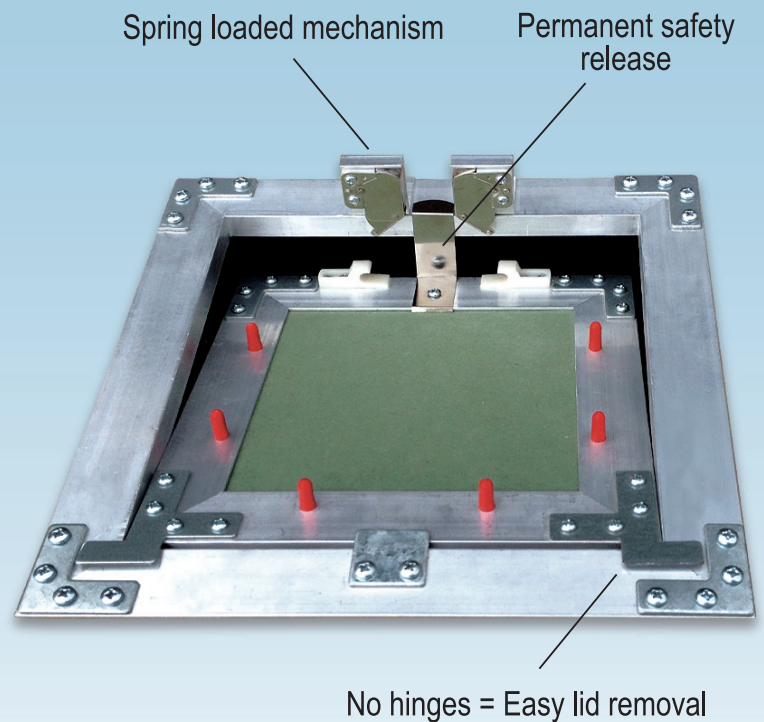


**. . almost invisible**

**. . . not your ordinary ceiling access hatch. Designed for any 13mm GIB ceiling or wall. Spring loaded, push to open mechanism makes this super strong hatch key-free!**

## HardEdge Hatch

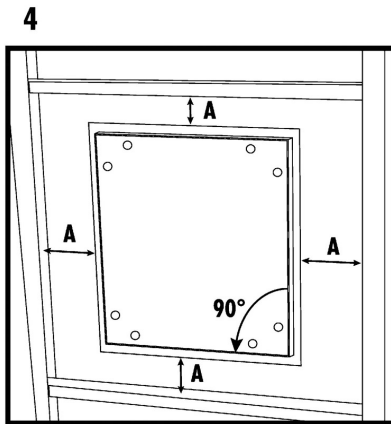
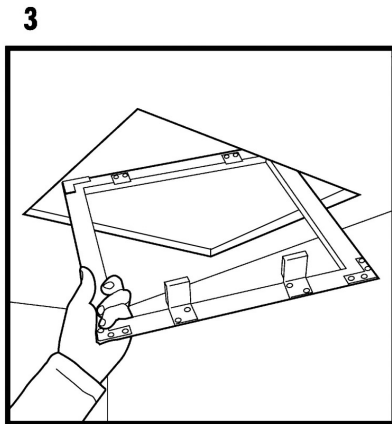
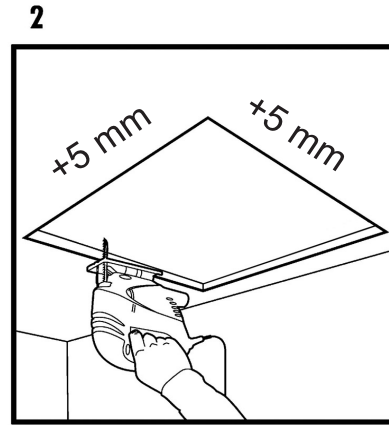
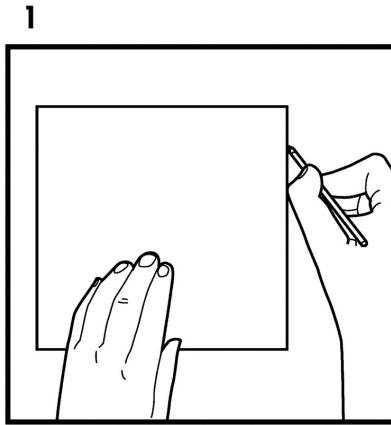
- Light weight
- Self-supporting during installation
- No keyhole
- Minimal stopping
- Hard edges, no denting or chipping
- Minimal moving parts, no hinges
- Permanent safety mechanism
- Easily retrofitted
- Sturdy, difficult to rack lid or frame
- Minimalistic appealing face finish
- Will not crack at the corners
- Frame will support a carefully placed ladder
- Easily insulated and easily acoustically sealed



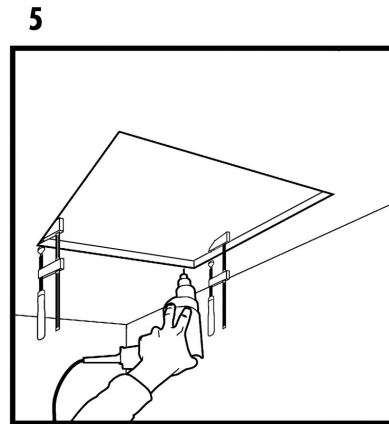
**Competitively Priced**

**HARD**  
**Edge**  
**HATCHES**

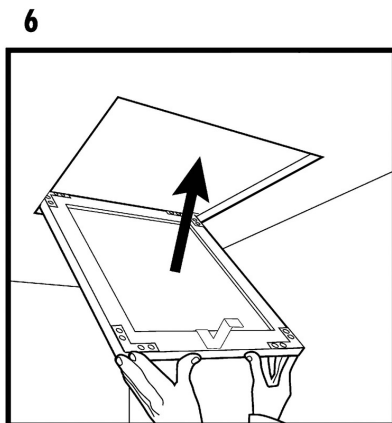
# HARD Edge HATCHES



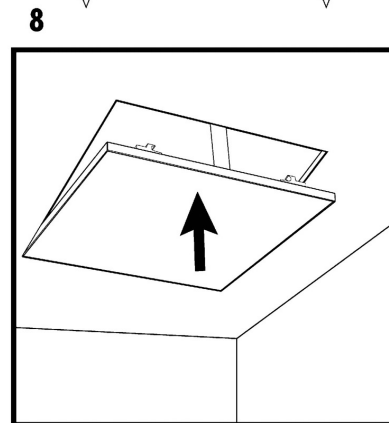
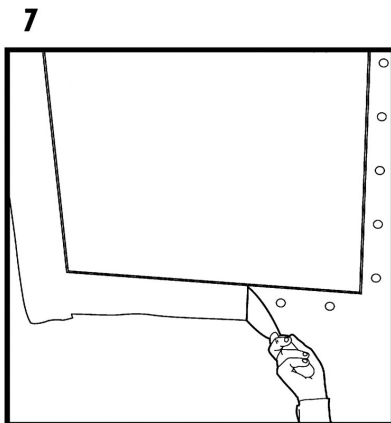
A = min. 80 mm, max. 100 mm



← max. 150 mm →



Check clearances



## INSTALLATION INSTRUCTIONS

- Trim opening in 13mm plaster board 5mm larger than HardEdge Hatch.
- **ENSURE THAT BACK OF CEILING IS DEBRIS FREE.**
- Remove lid and feed frame through opening diagonally and lay frame flat on the back of the ceiling, ensuring that lid is orientated in the desired direction.
- Temporarily clamp frame and screw fix through ceiling into external flange on all four sides. Remove clamps.
- Plaster around the exterior of the frame and the face of the lid.
- Reinstall lid after final decoration.

- 200 x 200mm
- 300 x 300mm
- 400 x 400mm
- 450 x 450mm
- 500 x 500mm
- 600 x 600mm